

4

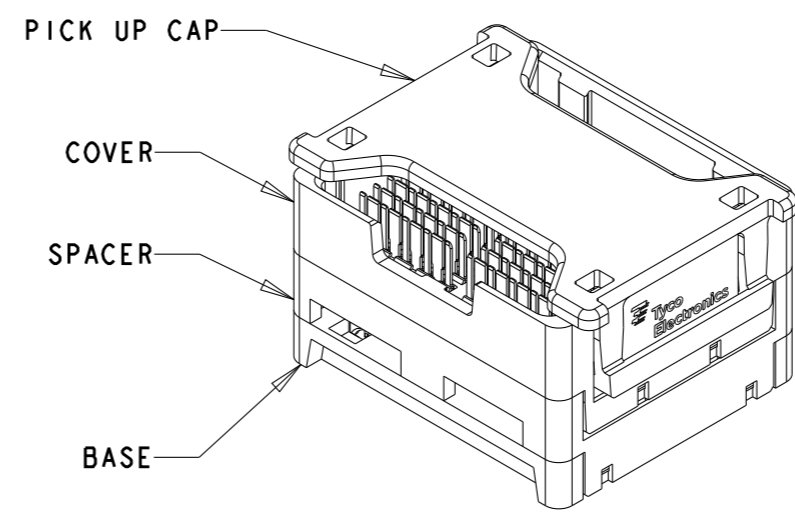
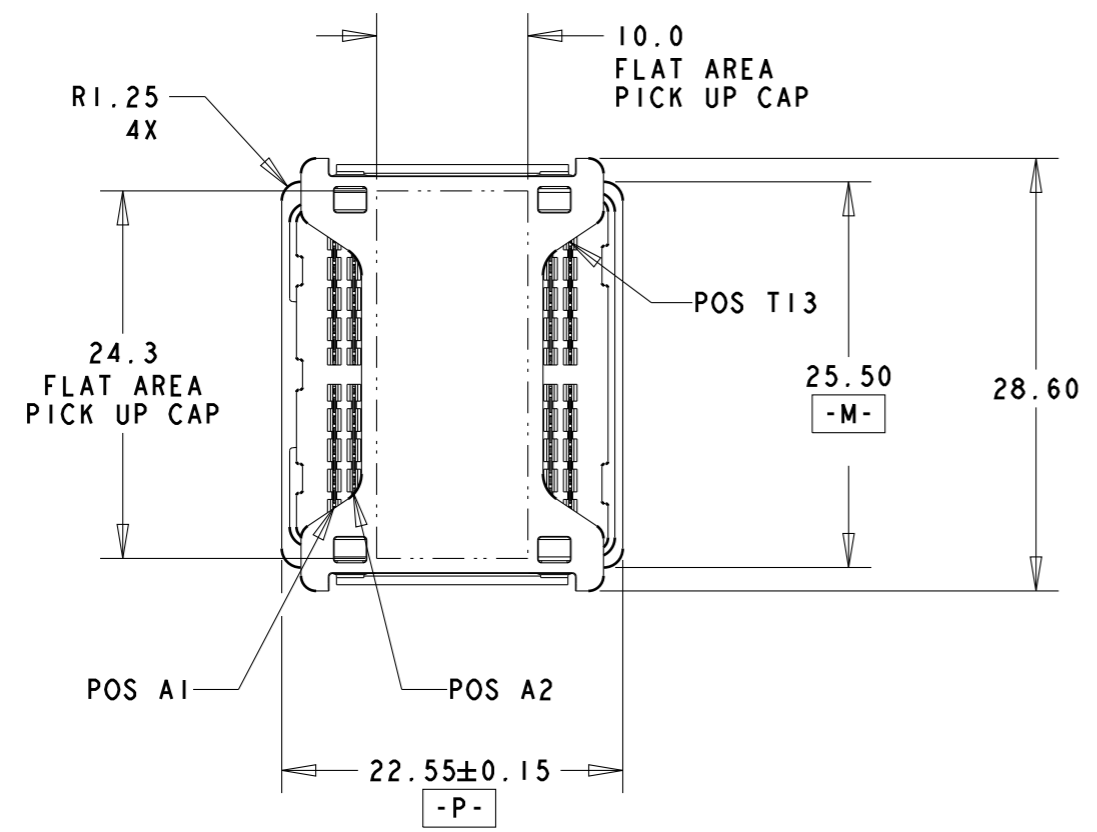
3

2

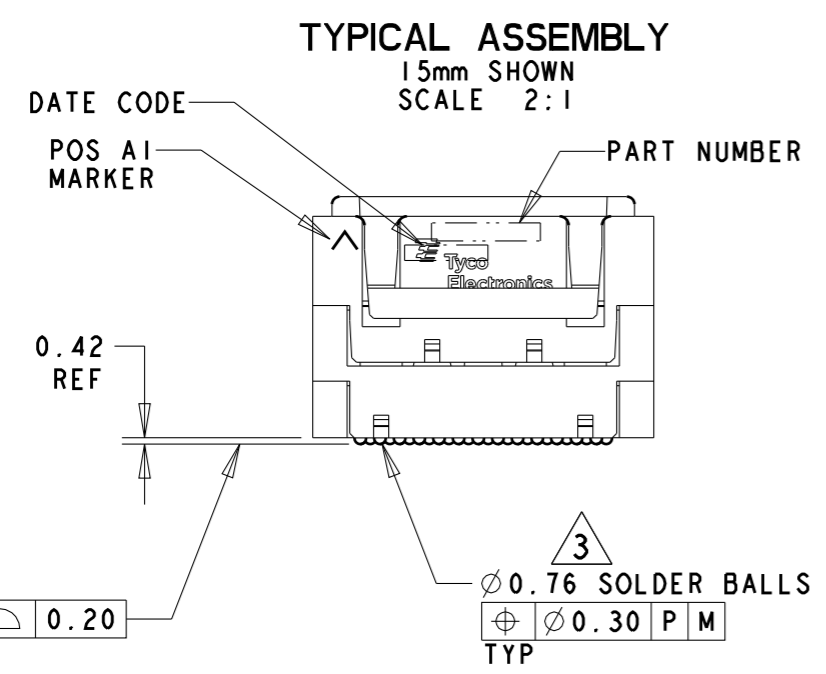
1

THIS DRAWING IS UNPUBLISHED. RELEASED FOR PUBLICATION 20  
 © COPYRIGHT 20 BY TYCO ELECTRONICS CORPORATION, ALL RIGHTS RESERVED.

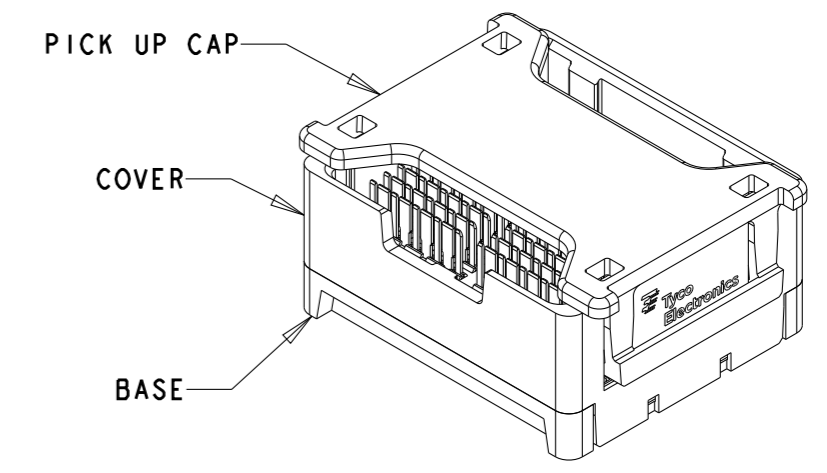
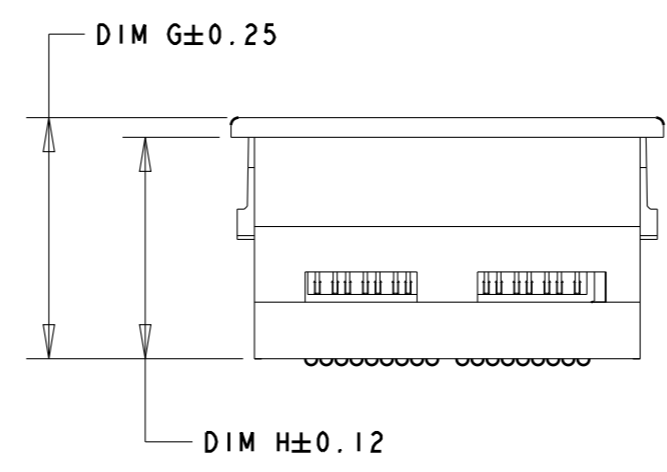
LOC	DIST	REVISIONS			
P	LTR	DESCRIPTION	DATE	DWN	APVD
DY	-	A2	REVISED PER ECR-10-013879	01JUL2010	SYJ LSF



**ISOMETRIC VIEW**  
 TYPICAL CONFIGURATION FOR  
 15mm & 20mm ASSEMBLY  
 SCALE 2:1



**TYPICAL ASSEMBLY**  
 15mm SHOWN  
 SCALE 2:1



**ISOMETRIC VIEW**  
 TYPICAL CONFIGURATION FOR  
 10mm, 12mm & 13mm ASSEMBLY  
 SCALE 2:1

<small>THIS DRAWING IS A CONTROLLED DOCUMENT FOR TYCO ELECTRONICS CORPORATION          IT IS SUBJECT TO CHANGE AND THE CONTROLLING ENGINEERING ORGANIZATION          SHOULD BE CONTACTED FOR THE LATEST REVISION.</small>		DWN P BRANDBERG 18JAN05 CHK D WERTZ 20JAN05 APVD D WERTZ 20JAN05			
<b>DIMENSIONS:</b> mm		<b>TOLERANCES UNLESS OTHERWISE SPECIFIED:</b>		<b>NAME</b> STEP-Z, PLUG ASSEMBLY, 104 SIGNAL POSITION	
		0 PLC ± 1 PLC ±0.3 2 PLC ±0.10 3 PLC ±0.050 4 PLC ± ANGLES ±2°		PRODUCT SPEC 108-2143 APPLICATION SPEC 114-13101 WEIGHT -	
<b>MATERIAL</b> 		<b>FINISH</b> 		SIZE A3 CAGE CODE 00779 DRAWING NO C-1761612 RESTRICTED TO -	
CUSTOMER DRAWING				SCALE - SHEET 1 OF 3 REV A2	

THIS DRAWING IS UNPUBLISHED.

RELEASED FOR PUBLICATION

20

© COPYRIGHT 20

BY TYCO ELECTRONICS CORPORATION, ALL RIGHTS RESERVED.

LOC	DIST	REVISIONS			
P	LTR	DESCRIPTION	DATE	DWN	APVD
	-	SEE SHEET 1	-	-	-

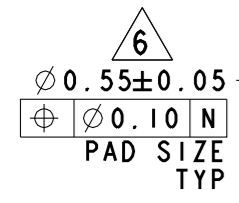
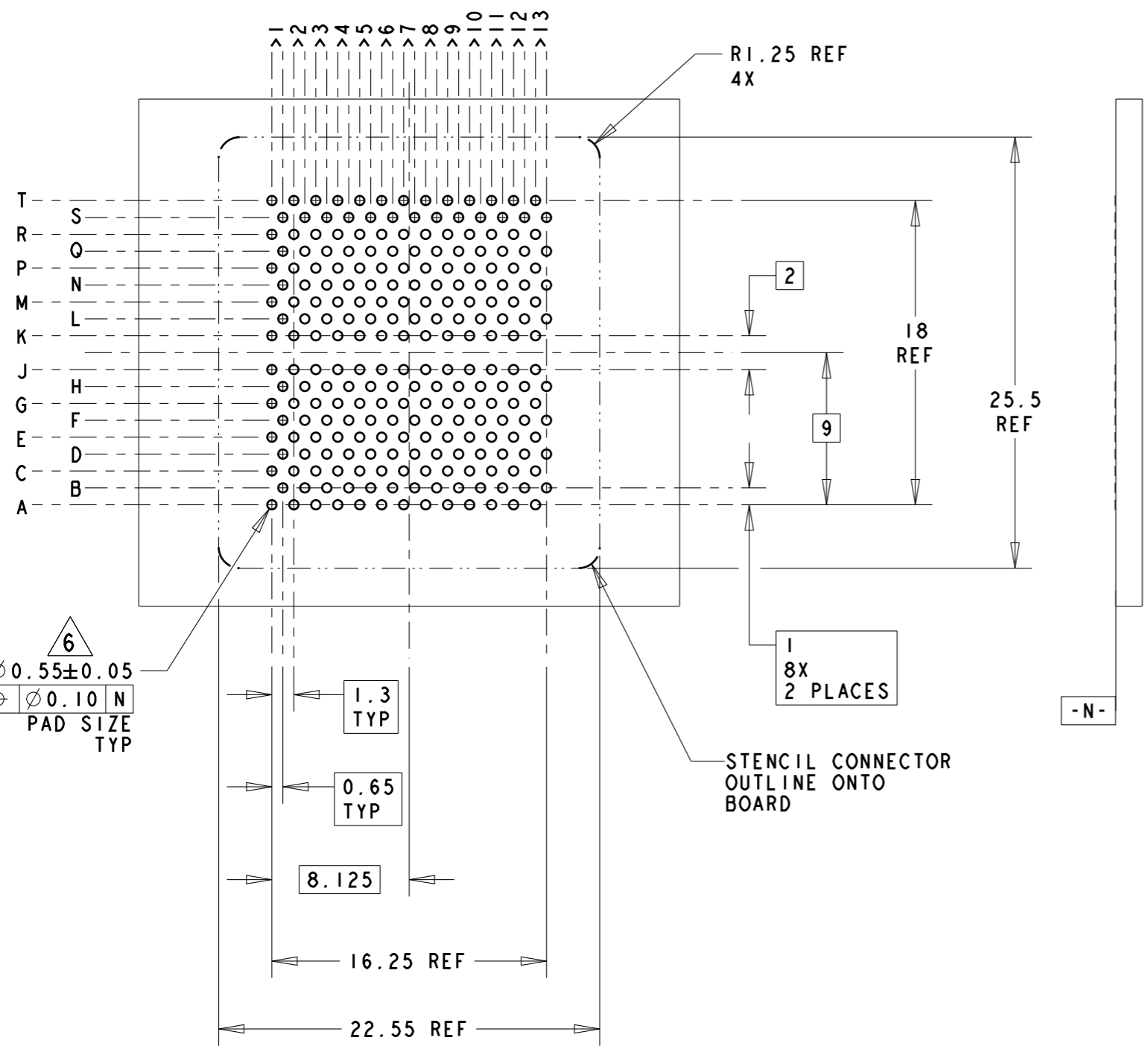
- 1 MATERIAL:  
BASE, SPACER, COVER: THERMOPLASTIC  
PICK UP CAP: THERMOPLASTIC  
CONTACT: COPPER ALLOY  
SOLDER BALL: Sn/Pb FOR P/N 1761612-1 THRU 5-1761612-0  
Sn/Ag FOR P/N 5-1761612-1 THRU 9-1761612-9
- 2 FINISH:  
CONTACT: 0.00076 MIN GOLD OVER 0.00127 MIN NICKEL.  
(30µ" MIN GOLD OVER 50µ" MIN NICKEL)
- 3 SOLDER BALLS WILL NOT BE PERFECT  
SPHERICAL SHAPE DUE TO REFLOW ATTACHMENT.
- 4 CONTACTS IN ROWS A,C,E,G,J,K,M,P,R, AND T  
ARE SINGLE BEAM CONTACTS,  
TYPICALLY USED AS GROUND PINS.  
(NOTE: CONTACTS IN ROW J & K ARE TIED  
TOGETHER [COMMONED]).
- 5 CONTACTS IN ROWS B,D,F,H,L,N,O, AND S  
ARE DUAL BEAM CONTACTS,  
TYPICALLY USED AS SIGNAL PINS.
- 6 SPECIFIED POSITIONAL TOLERANCE DEFINES PAD TO PAD  
LOCATION WITHIN LAND PATTERN. POSITIONAL TOLERANCE  
OF LAND PATTERN TO FUDICIAL MARKS OR PCB DATUMS  
SHALL BE DEFINED BY CUSTOMER. FOR RECOMMENDED  
PRODUCT APPLICATION AND PCB DESIGN DETAILS, SEE  
APPLICATION SPEC 114-13101.

DIM H	DIM G	LOAD STYLE	DESCRIPTION	PART NUMBER
19.65	20.95	-	20mm Sn/Ag	7-1761612-0
14.65	15.95	-	15mm Sn/Ag	6-1761612-5
12.65	13.95	-	13mm Sn/Ag	6-1761612-3
11.65	12.95	-	12mm Sn/Ag	6-1761612-2
9.65	10.95	-	10mm Sn/Ag	6-1761612-0
19.65	20.95	-	20mm Sn/Pb	2-1761612-0
14.65	15.95	-	15mm Sn/Pb	1-1761612-5
12.65	13.95	-	13mm Sn/Pb	1-1761612-3
11.65	12.95	-	12mm Sn/Pb	1-1761612-2
9.65	10.95	-	10mm Sn/Pb	1-1761612-0

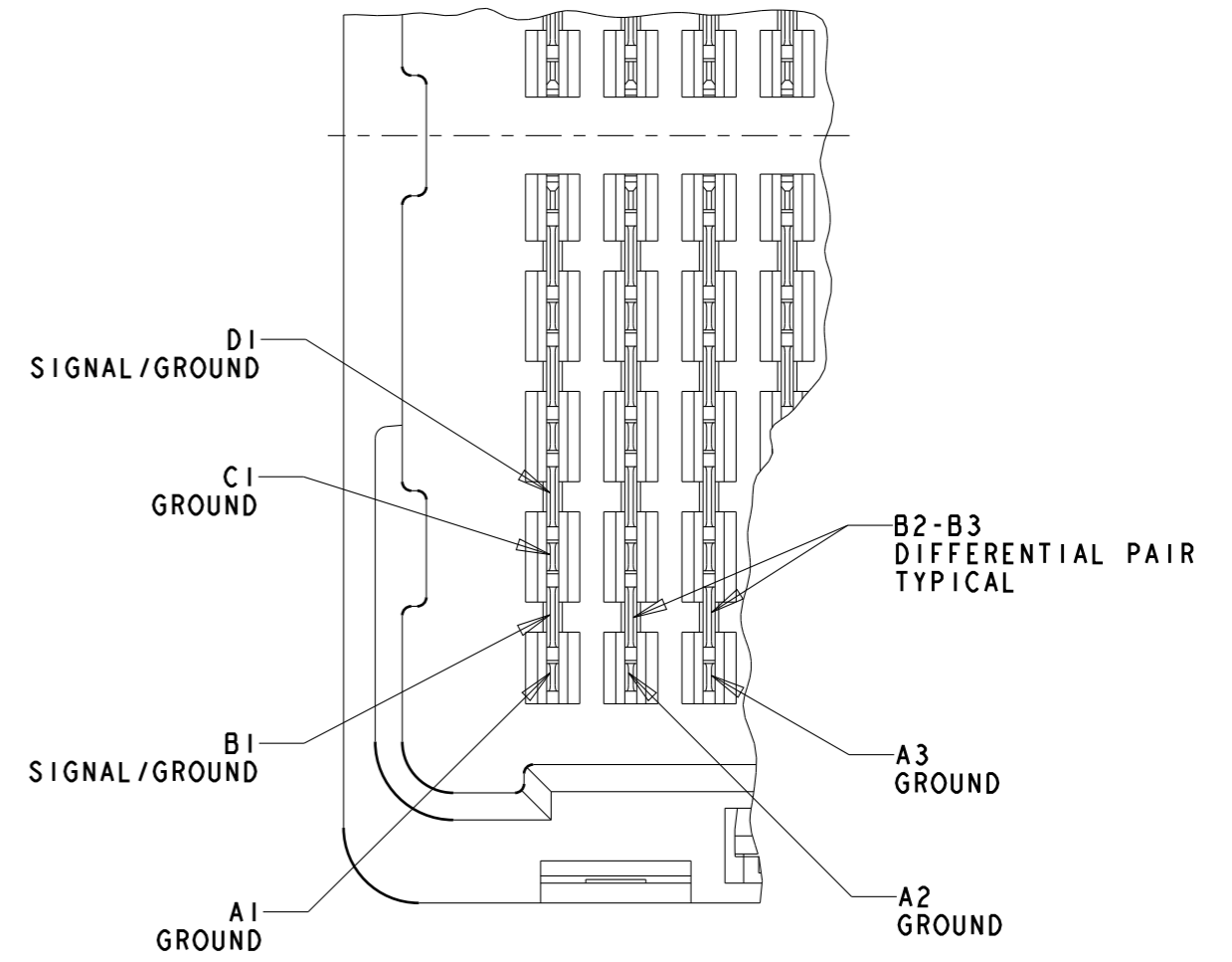
<small>THIS DRAWING IS A CONTROLLED DOCUMENT FOR TYCO ELECTRONICS CORPORATION IT IS SUBJECT TO CHANGE AND THE CONTROLLING ENGINEERING ORGANIZATION SHOULD BE CONTACTED FOR THE LATEST REVISION.</small>		DWN P BRANDBERG 18 JAN 05 CHK D WERTZ 20 JAN 05 APVD D WERTZ 20 JAN 05			
DIMENSIONS: mm 		TOLERANCES UNLESS OTHERWISE SPECIFIED: 0 PLC ±0.3 1 PLC ±0.10 2 PLC ±0.050 3 PLC ±0.050 4 PLC ±0.050 ANGLES ±2°		NAME STEP-Z, PLUG ASSEMBLY, 104 SIGNAL POSITION	
MATERIAL - FINISH -		PRODUCT SPEC - APPLICATION SPEC - WEIGHT -		SIZE A3 CAGE CODE 00779 DRAWING NO C-1761612 RESTRICTED TO -	
CUSTOMER DRAWING				SCALE - SHEET 2 OF 3 REV A2	

THIS DRAWING IS UNPUBLISHED. RELEASED FOR PUBLICATION 20  
 © COPYRIGHT 20 BY TYCO ELECTRONICS CORPORATION, ALL RIGHTS RESERVED.

LOC	DIST	REVISIONS				
P	LTR	DESCRIPTION	DATE	DWN	APVD	
DY	-	SEE SHEET 1	-	-	-	



4 5 BOARD PATTERN  
SCALE 3:1



PLUG INTERFACE  
SCALE 8:1

<small>THIS DRAWING IS A CONTROLLED DOCUMENT FOR TYCO ELECTRONICS CORPORATION IT IS SUBJECT TO CHANGE AND THE CONTROLLING ENGINEERING ORGANIZATION SHOULD BE CONTACTED FOR THE LATEST REVISION.</small>		DWN P BRANDBERG 18 JAN 05 CHK D WERTZ 20 JAN 05 APVD D WERTZ 20 JAN 05			
DIMENSIONS: mm 		TOLERANCES UNLESS OTHERWISE SPECIFIED: 0 PLC ±.3 1 PLC ±0.10 2 PLC ±0.10 3 PLC ±0.050 4 PLC ±. ANGLES ±2°		NAME STEP-Z, PLUG ASSEMBLY, 104 SIGNAL POSITION	
MATERIAL -		FINISH -		APPLICATION SPEC - WEIGHT - SIZE A3 CAGE CODE 00779 DRAWING NO C-1761612 RESTRICTED TO -	
CUSTOMER DRAWING				SCALE -	SHEET 3 OF 3 REV A2